

# BROEN-LAB

## EYE SHOWER WALL

DK / Installationsvejledning

UK / Installation Manual

DE / Installationsanleitung

NL / Installatiehandleiding

FR / Guide de configuration

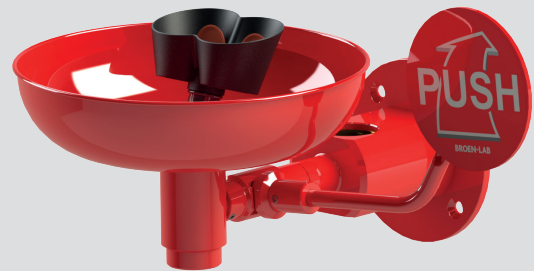
ES / Guía de configuración

JP / セットアップガイド

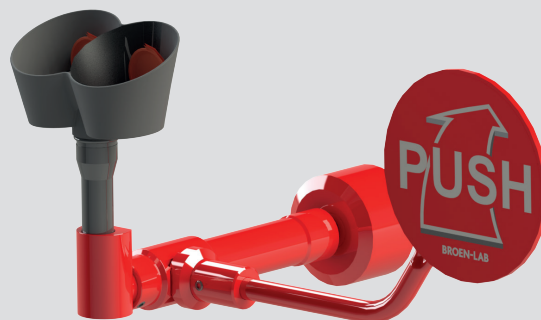
For more information please refer to 94G0053



Eye / face shower with bowl,  
wall mounted



Legionella installation



Eye shower,  
wall mounted

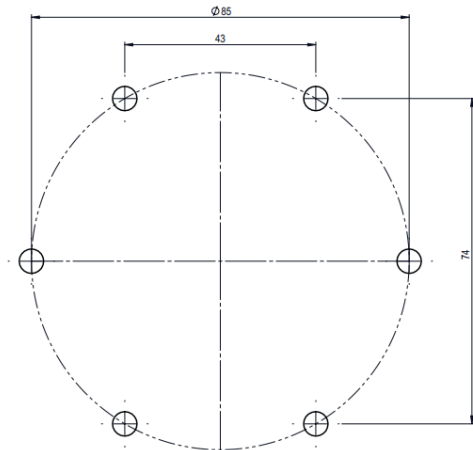


# EYE / FACE SHOWER WITH BOWL, WALL MOUNTED

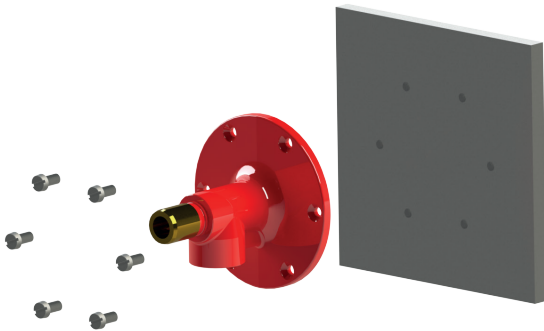


Vægmontage  
Wall mounting  
Wandmontage  
Muurmontage  
Montage mural  
Montaje en pared  
ウォールマウント

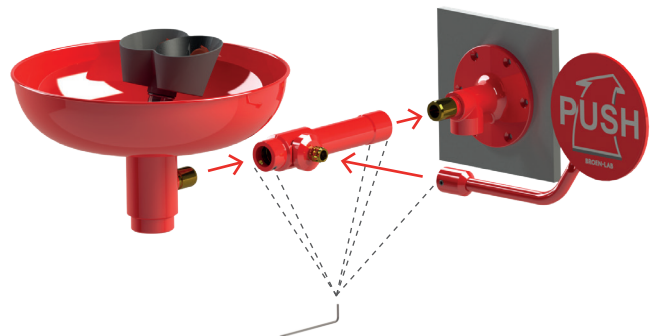
1



2



3



## OPERATION



Closed



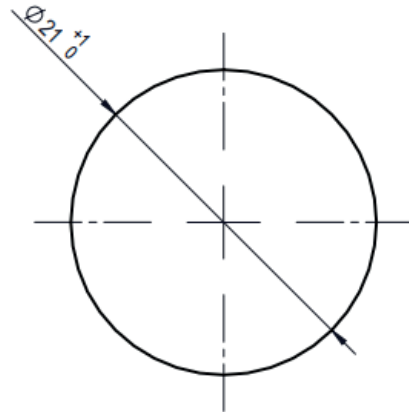
Open

# EYE SHOWER, WALL MOUNTED

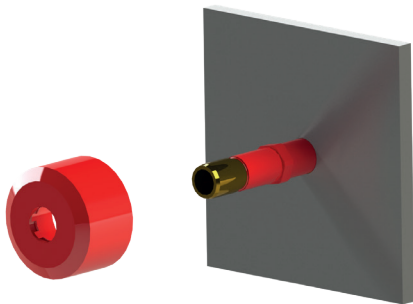


Vægmontage  
Wall mounting  
Wandmontage  
Muurmontage  
Montage mural  
Montaje en pared  
ウォールマウント

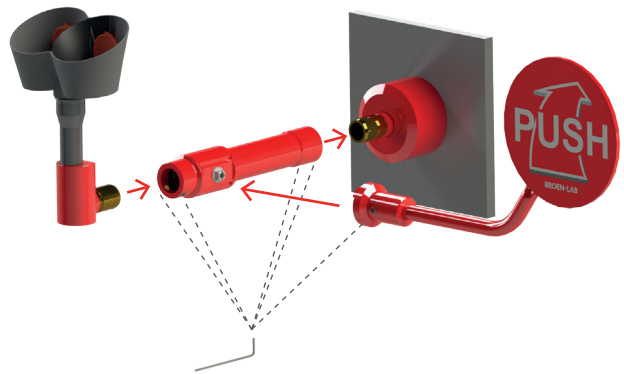
1



2



3



## OPERATION

Closed



Open

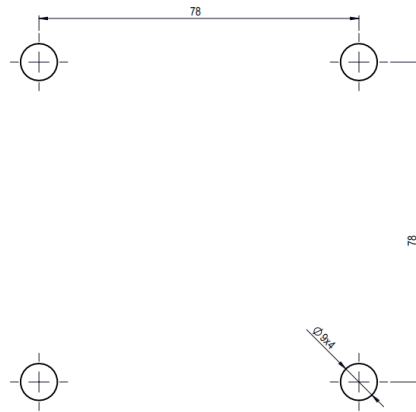


# LEGIONELLA INSTALLATION

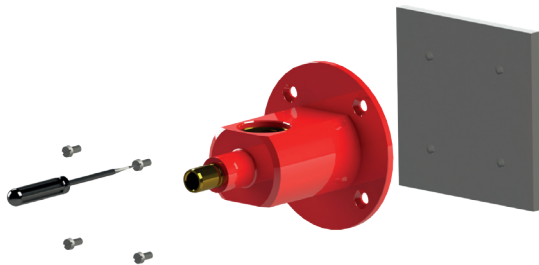


Vægmontage  
Wall mounting  
Wandmontage  
Muurmontage  
Montage mural  
Montaje en pared  
ウォールマウント

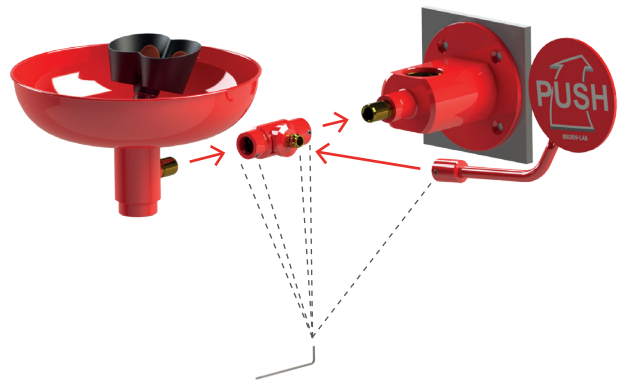
1



2



3



## OPERATION

Closed



Open



BROEN-LAB develops, manufactures and sells Laboratory Fittings, Emergency Shower Systems and Eye Wash Systems into a broad spectrum of laboratories and industrial locations; sectors include Pharmaceutical, Food & Beverage and Academia. Our expertise and product quality ensure optimal solutions compliant to all relevant international norms setting new standards in risk mitigation in modern research and development facilities.

BROEN-LAB offer solutions that ensure the functionality, compliance, hygiene, durability and safety are of the highest priority. For over 75 years our products have been integrated into a wide variety of workplaces, laboratories, hospitals and industrial locations, with features that are assessed and designed to be flexible, durable and compliant offering a broad range of options tailored to each location. This inherent design integrity provides confidence in the solution adopted wherever in the world these are applied.

BROEN-LAB is a collaboration partner in the design and layout of your next laboratory and its integrated safety solutions.

# BROEN-LAB

[www.BROEN-LAB.com](http://www.BROEN-LAB.com)

## HEAD OFFICE

**BROEN-LAB A/S**  
Drejervaenget 2  
5610 Assens  
Tel. +45 6376 6376  
[lab@broen-lab.com](mailto:lab@broen-lab.com)

## INTERNATIONAL OFFICES

**BROEN-LAB Inc.**  
15 Constitution Drive  
Suite 122  
Bedford, NH 03110  
USA  
Tel. +1 315 203 2162  
[lab@broen-lab.com](mailto:lab@broen-lab.com)

**BROEN-LAB Singapore Pte. Ltd.**  
25 International Business Park  
#04-60A German Centre  
Singapore 609916  
Tel. +65 6298 0662  
[lab@broen-lab.com](mailto:lab@broen-lab.com)

**BROEN-LAB GmbH**  
Tel. +45 6376 6376  
[lab@broen-lab.com](mailto:lab@broen-lab.com)

**BROEN-LAB Sverige AB**  
Tel. +45 6376 6376  
[lab@broen-lab.com](mailto:lab@broen-lab.com)



BROEN-LAB A/S ISO 9001 CERTIFICATION In September 1991 BROEN-LAB A/S was certified according to ISO 9001 as one of the first Danish companies. The certification was carried out by Bureau Veritas, Denmark for our Danish site in Assens. The quality management system of BROEN-LAB A/S now complies with detailed specifications laid down by the internationally acknowledged EN ISO 9001:2015. This certification will further contribute to reputation for quality and reliability of BROEN-LAB A/S.